

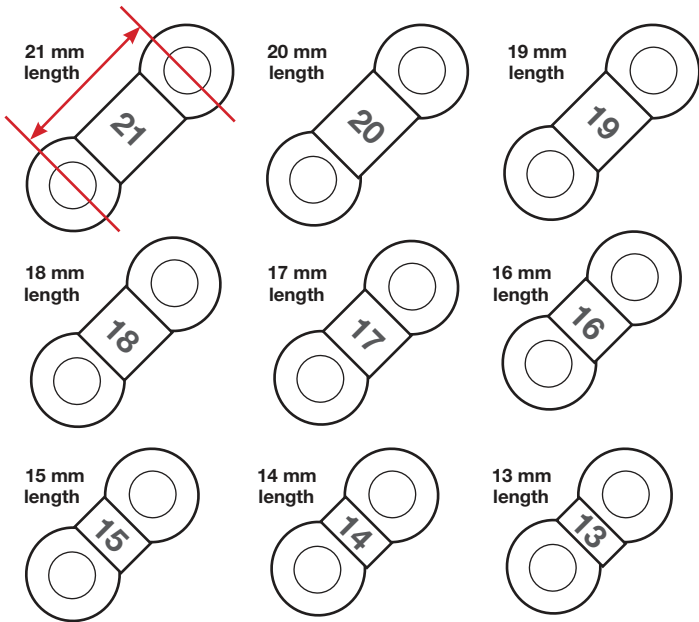


# Titration the EMA appliance

The **EMA** oral appliance from EMA-Sleep, Inc. increases airway space by advancing the mandible using interchangeable elastic straps. EMA elastic straps come in **9 different lengths** (see figure A), and **4 different strengths** (see figure B). The shorter the EMA elastic strap, the farther the mandible is advanced (see figure C). **36 different straps** allow for the most effective repositioning with maximum comfort.

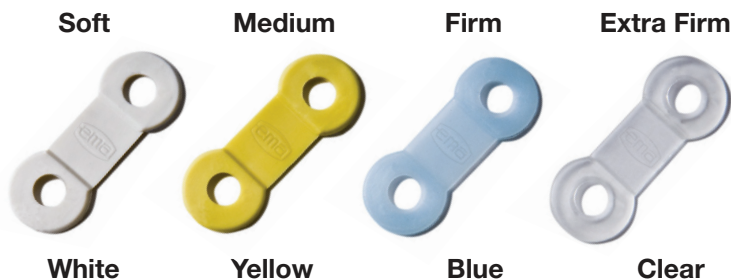
**9 different lengths allow for 1 mm advancement of the mandible**

**Figure A**



**Each EMA elastic strap comes in 4 different strengths, indicated by color.**

**Figure B**

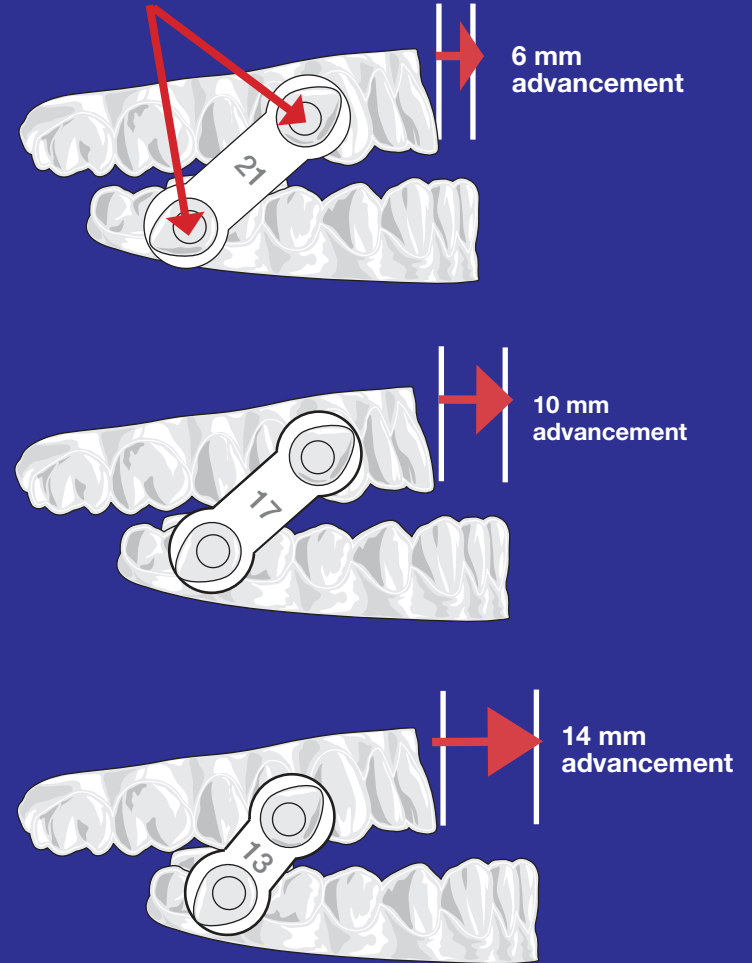


EMA elastic straps are 100% latex free.

**The shorter the EMA elastic strap, the farther the mandible is advanced.**

**Figure C**

EMA buttons are 27 mm apart\*



EMA® STRAP LENGTH	DISTANCE BETWEEN EMA BUTTONS	
	27 mm	25 mm
21 mm	6 mm	4 mm
20 mm	7 mm	5 mm
19 mm	8 mm	6 mm
18 mm	9 mm	7 mm
17 mm	10 mm	8 mm
16 mm	11 mm	9 mm
15 mm	12 mm	10 mm
14 mm	13 mm	
13 mm	14 mm	

\*EMA-Sleep, Inc. recommends a distance between the buttons of 27 mm in the centric position. If the patient's range of mandibular advancement is limited to 9 mm or fewer, a distance of 25 mm distance is recommended.



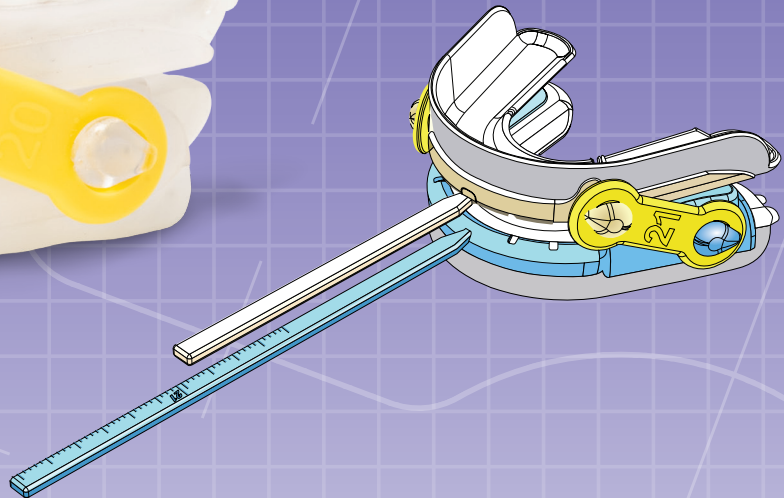
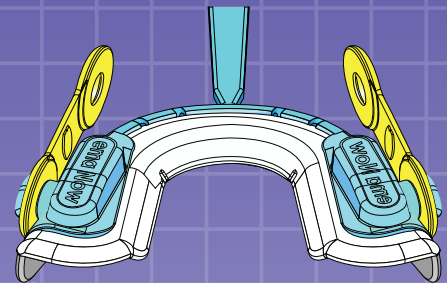
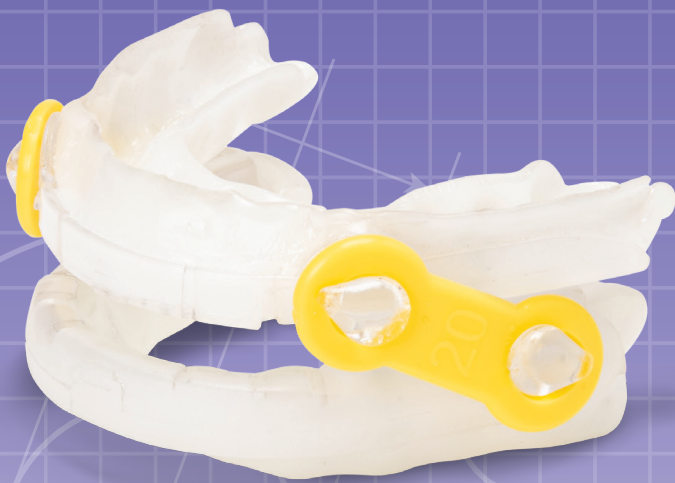
DISTRIBUTED BY  
**BE Innovations, Inc.**  
760-334-1123  
be-innovations.com

EMA® is a trademark of frantz design inc.  
US Patent Numbers: 6,109,265; D611,153 & Patent Pending





# SIMPLICITY MEETS EFFICIENCY



## PROVEN SLEEP TECHNOLOGY

- A temporary, 30 day, semi-custom medical oral sleep appliance for the treatment of nighttime snoring and Obstructive Sleep Apnea (OSA).
- Immediate treatment option for an OSA patient
- Rescue Appliance - provides your patient with an immediate interim solution during sleep appliance repairs
- Chair-side fabrication in less than 10 minutes using the heat-to-fit trays
- Easily titratable using EMA Advancement Straps - 6 sets of EMA Straps included allowing for up to 5 mm of advancement
- Bite pads on lower tray allow for up to 4 mm of vertical adjustability for TM comfort and lip seal
- FDA Cleared